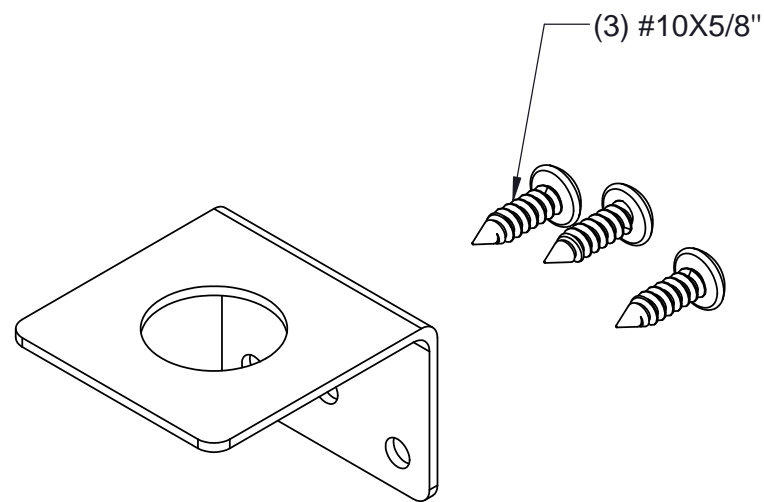
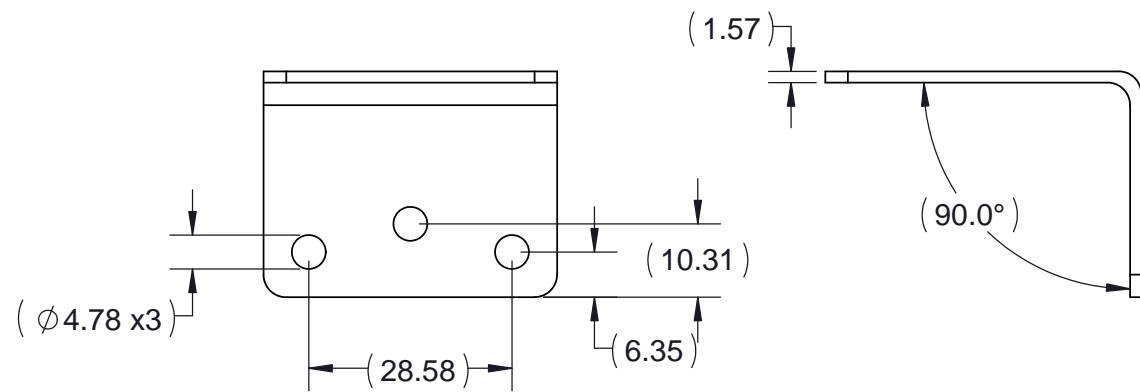
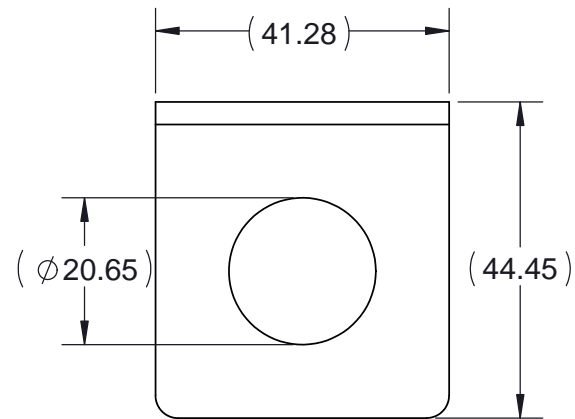




PARAMETER	PERFORMANCE
MODEL NUMBER	LBT3400
HARDWARE	3 - SCREWS INCLUDED
HEIGHT	44.5

REVISIONS					
REV.	ECN#	ZONE	DESCRIPTION	CHANGED BY/DATE	APPROVED BY/DATE
1	N/A	ALL	INITIAL CREATION	A.MASCORRO 08SEPT16	A.MASCORRO 08SEPT16



MATERIAL: Stainless Steel		THIRD ANGLE PROJECTION		 SCHAUMBURG, IL 60173 USA	
FINISH: N/A		 DO NOT SCALE DRAWING			
APPROVALS		DATE		TITLE: LBT3400 MOUNTING & OUTLINE	
DRAWN BY	A.MASCORRO	08SEPT16			
ELEC. ENG.	A.MASCORRO	08SEPT16			
MECH. ENG.	-	-			
MFG./OPS.	-	-		SIZE A3	
INTERPRET DIMENSIONING AND TOLERANCING IN ACCORDANCE WITH ASME Y14.5M-2009 TOLERANCES UNLESS OTHERWISE SPECIFIED DIMENSIONS ARE IN MILLIMETERS		ANGLE: ±30' 0 PLACE DECIMAL: ±0.5 1 PLACE DECIMAL: ±0.25 2 PLACE DECIMAL: ±0.13 SURFACE ROUGHNESS 1.6/√		DWG. NO. LBT3400MO	
				SCALE: 1:1	PREVIOUS#
				REV 1	
				SHEET 1 OF 1	

UNLESS OTHERWISE NOTED, THIS DOCUMENT CONTAINS LAIRD TECHNOLOGIES CONFIDENTIAL INFORMATION. REPRODUCTION, USE, DISCLOSURE OR TRANSMITTAL OF ALL OR ANY PART OF THIS DOCUMENT IS PROHIBITED EXCEPT TO THE EXTENT APPROVED IN WRITING BY AN AUTHORIZED REPRESENTATIVE OF LAIRD TECHNOLOGIES. LAIRD TECHNOLOGIES RESERVES ALL RIGHTS UNDER PATENTS, TRADEMARKS, COPYRIGHTS AND TRADE SECRETS. COPYRIGHT, LAIRD TECHNOLOGIES 2014, ALL RIGHTS RESERVED.