



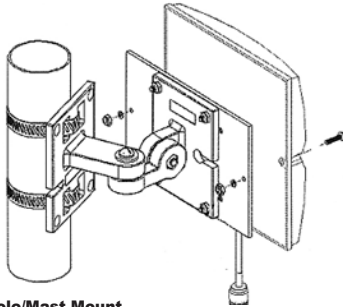
Smart Technology. Delivered.™

S2401240P

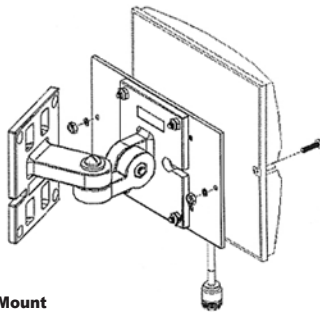
(2.4 - 2.5 GHz)

ASSEMBLY AND INSTALLATION INSTRUCTIONS

Optional Articulating Mount (Part # ALLPMT)



Articulating Pole/Mast Mount



Articulating Wall Mount



Please read all instructions carefully before attempting to install and use this product.

SAFETY

The S2401240P and all associated equipment should be installed in accordance with applicable local and national electrical-code guidelines to ensure safe operation.

APPLICATION

The S2401240P four-element patch array is a 2.4 to 2.5-GHz wall-mounted sector antenna used for interior RF distribution systems. The directional pattern is especially shaped for optimum coverage of long aisles, extended corridors, and deep rooms.

ANTENNA LOCATION

For best results, mount the S2401240P at the center of the selected end wall, positioning high enough to clear signal-blocking obstructions such as metal cabinets and shelving. While 2.4-GHz signals penetrate cubical dividers and interior walls with minimal attenuation, support columns and large metal structures within the room may create shadow zones where signal strength is attenuated. Also, large obstructions may cause multipath, condition where reflected signal interfere with the primary signal path. A line-of-sight path between the antenna and active floor locations generally works best.

MOUNTING

The S2401240P attaches to any vertical wall surface using included hardware. To mount on gypsum or plaster, transfer mounting-hole locations from the radome to the wall surface and drill 3/16" holes. Install the plastic anchors provided in the hardware kit and mount with the supplied sheet-metal screws. For wood surfaces, transfer the mounting-hole locations to the wall and drill a 1/16" pilot hole for each mounting screw .

KEY	P/N	DISPLAY	DESC	SIZE	QTY
66	014466		SCREW	#8 x 3/4	4
65	154465		WALL ANCHORS	#8	4

Model:	S2401240P
Frequency MHz:	2400-2500
Gain dBi, (w/12" cable):	12
VSWR:	1.5:1 max
E-Plane (3 dB beamwidth):	35°
H-Plane (3 dB beamwidth):	40°
Polarization:	Linear Vertical
Front to Back Ratio:	14dB
RF Connector:	N (f)
PigTail:	12" Standard
Weight oz. (kg) (w/12" cable):	11 (.31)
Mounting:	Wall / Mast
Dimensions in.(cm):	6.12 x 6.12 x 1.25 (15.5 x 15.5 x 3.2)
Enclosure:	ABS
Power (Watts):	25

Americas: +1.847.839.6925
IAS-AmericasEastSales@lairdtech.com

Europe: +44.1628.858941
IAS-EUSales@lairdtech.com

Asia:
IAS-AsiaSales@lairdtech.com

Middle East and Africa: +44.1628.858941
IAS-MEASales@lairdtech.com

www.lairdtech.com

951523_GF_AB