

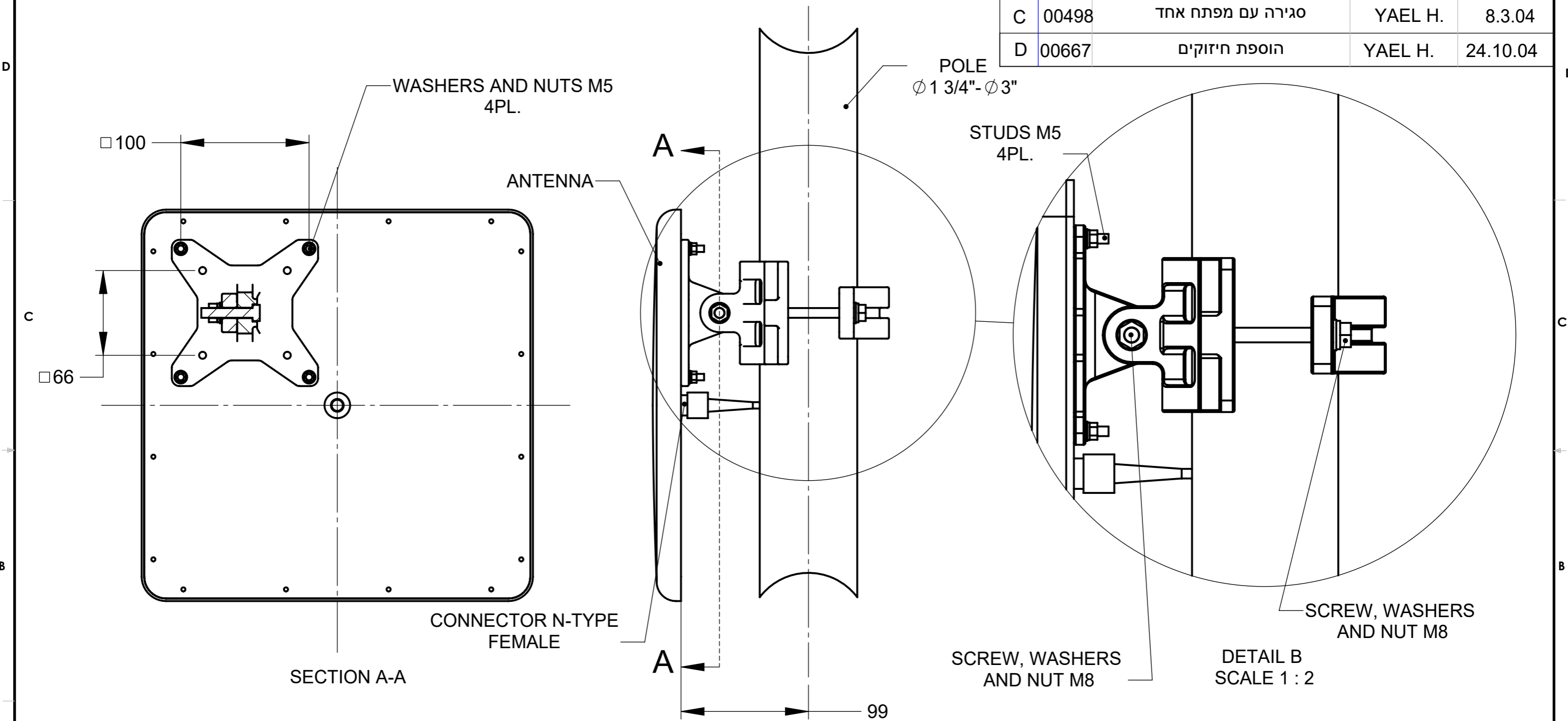
THIS DOCUMENT AND THE INFORMATION CONTAINED IN IT ARE PROPRIETARY AND CONFIDENTIAL TO M.T.I. NO PERSON IS ALLOWED TO COPY, REPRINT, REPRODUCE OR PUBLISH ANY PART OF THIS DOCUMENT, NOR DISCLOSE ITS CONTENTS TO OTHERS, NOR MAKE ANY USE OF IT, NOR ALLOW OR ASSIST OTHERS TO MAKE ANY USE OF IT - UNLESS BY THE PRIOR WRITTEN EXPRESS AUTHORIZATION OF M.T.I. AND THEN ONLY TO EXTENT AUTHORIZED. (C) COPYRIGHT - M.T.I. WIRELESS EDGE LTD.

SHEET REVISION STATUS

5	4	3	2	1	SHEET NO
		D	D	D	LATEST REV

DESCRIPTION

REV	ECO	REVISION RECORD	APVD	DATE
A	CT39	RELEASED	Yael H.	30.7.02
B	00183	הוספת שיניים לחלק	Yael H.	31.8.03
C	00498	סגירה עם מפתח אחד	Yael H.	8.3.04
D	00667	הוספת חיזוקים	Yael H.	24.10.04

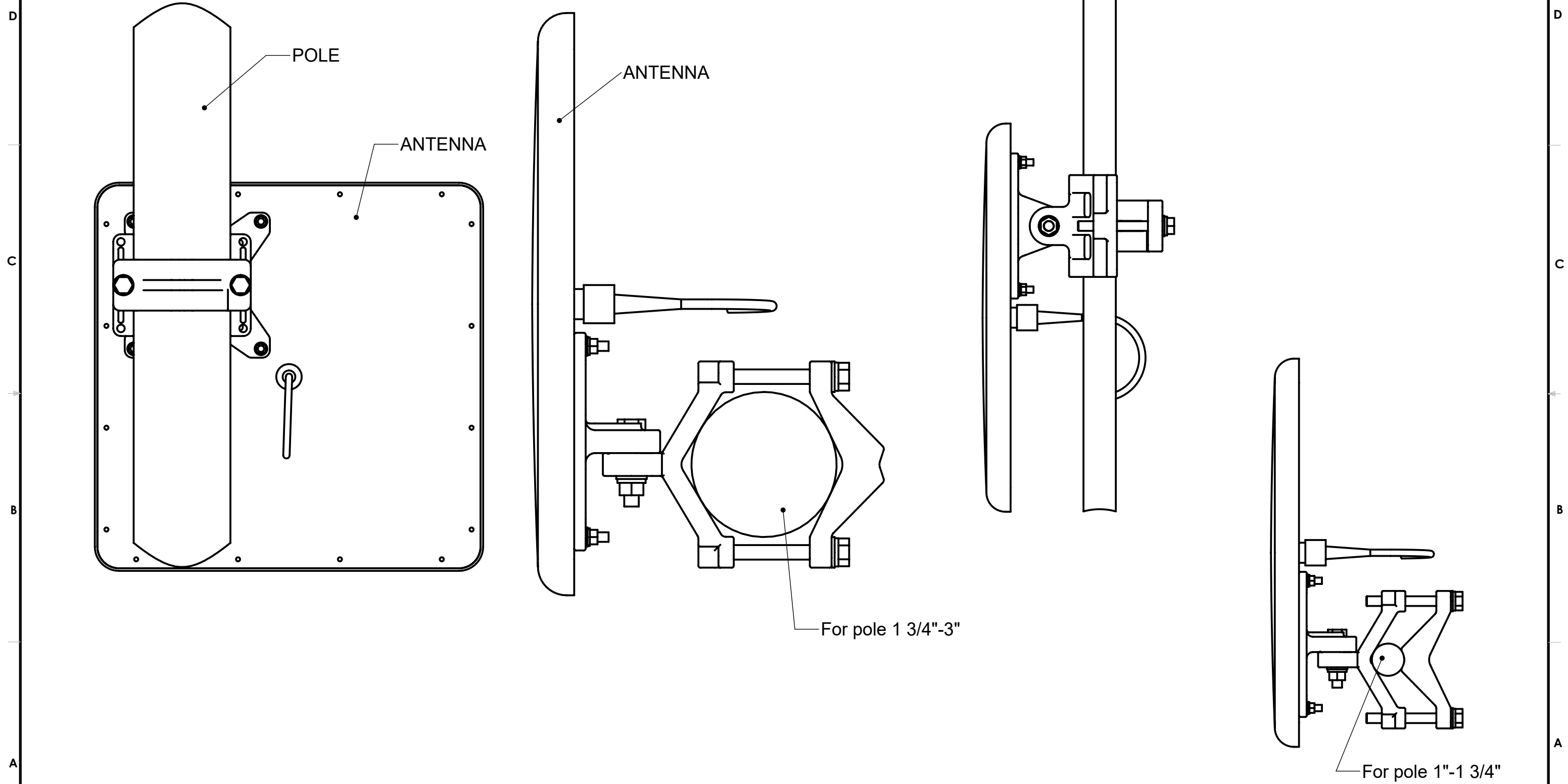


UNLESS OTHERWISE SPECIFIED		CONTRACT TO	
DIMENSIONS ARE IN mm PER ANSI Y14.5M-1982		DWG	Yael Yael 28.7.02
TOLERANCE		CHKD	GILLER H.G 28.7.02
LINEAR	ANGULAR	DSGN	ROSTMY M.R 29.7.02
±0.2	±/°	PROJ	ROSTMY M.R 29.7.02
SURFACE TEXTURE IN MICRO IN.		MFG	
		QA	MOTOVICH MOTI 29.7.02

MT-120018  
NEXT ASSY

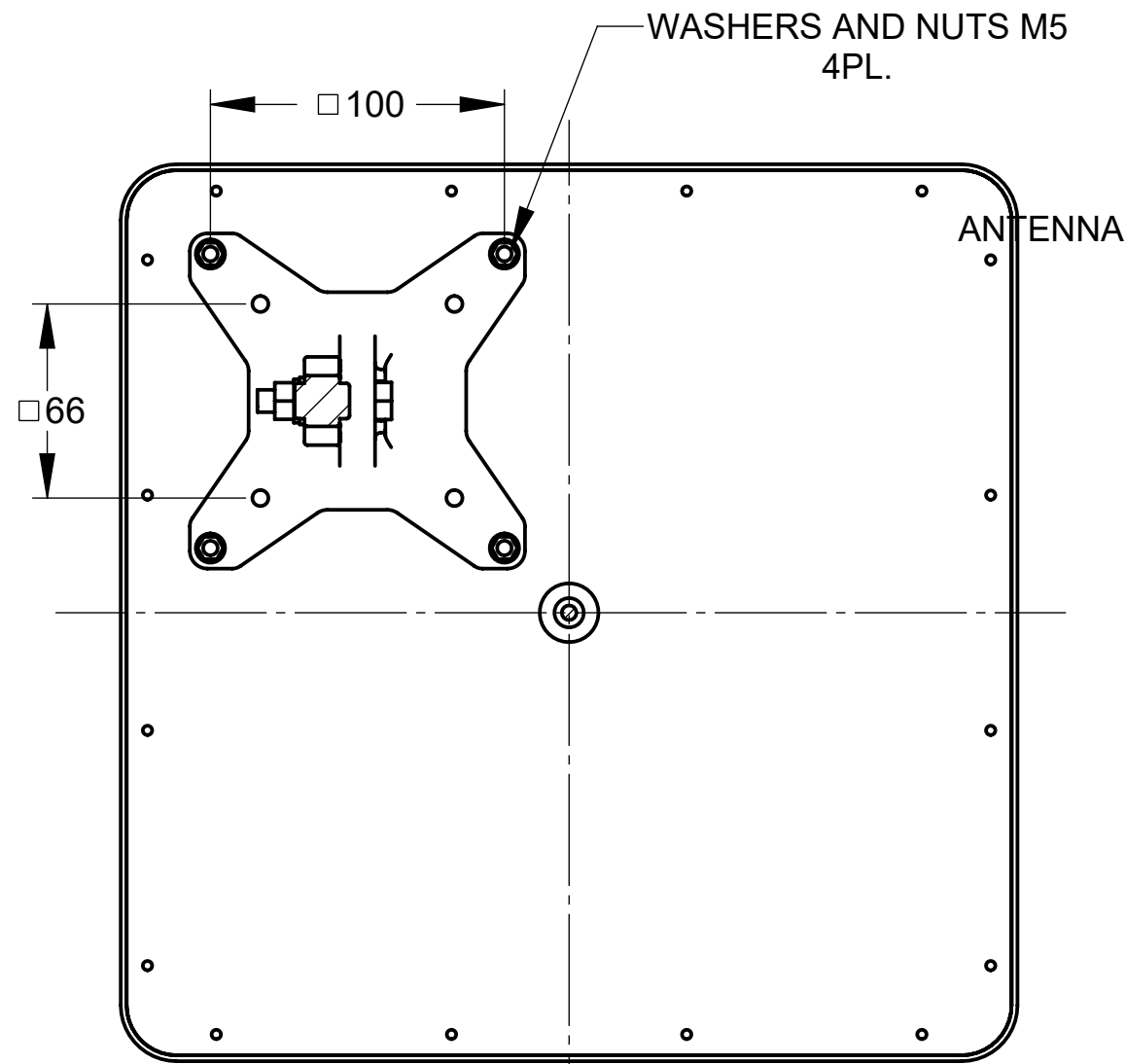
**Mti** WIRELESS EDGE LTD.  
TITLE POLE/WALL MOUNTING KIT MT-120018 WITH ANTENNA ICD  
SIZE A3 DWG NO RD41136200C  
SCALE- 1:3 SHEET 1 OF 3

THIS DOCUMENT AND THE INFORMATION CONTAINED IN IT ARE PROPRIETARY AND CONFIDENTIAL TO M.T.I NO PERSON IS ALLOWED TO COPY, REPRINTREPRODUCE OR PUBLISH ANY PART OF THIS DOCUMENT, NOR DISCLOSE ITS CONTENTS TO OTHERS, NOR MAKE ANY USE OF IT, NOR ALLOW OR ASSIST OTHERS TO MAKE ANY USE OF IT - UNLESS BY THE PRIOR WRITTEN EXPRESS AUTHORIZATION OF M.T.I AND THEN ONLY TO EXTENT AUTHORIZED. (C) COPYRIGHT - M.T.I TECHNOLOGY AND ENGINEERING (1993) LTD.

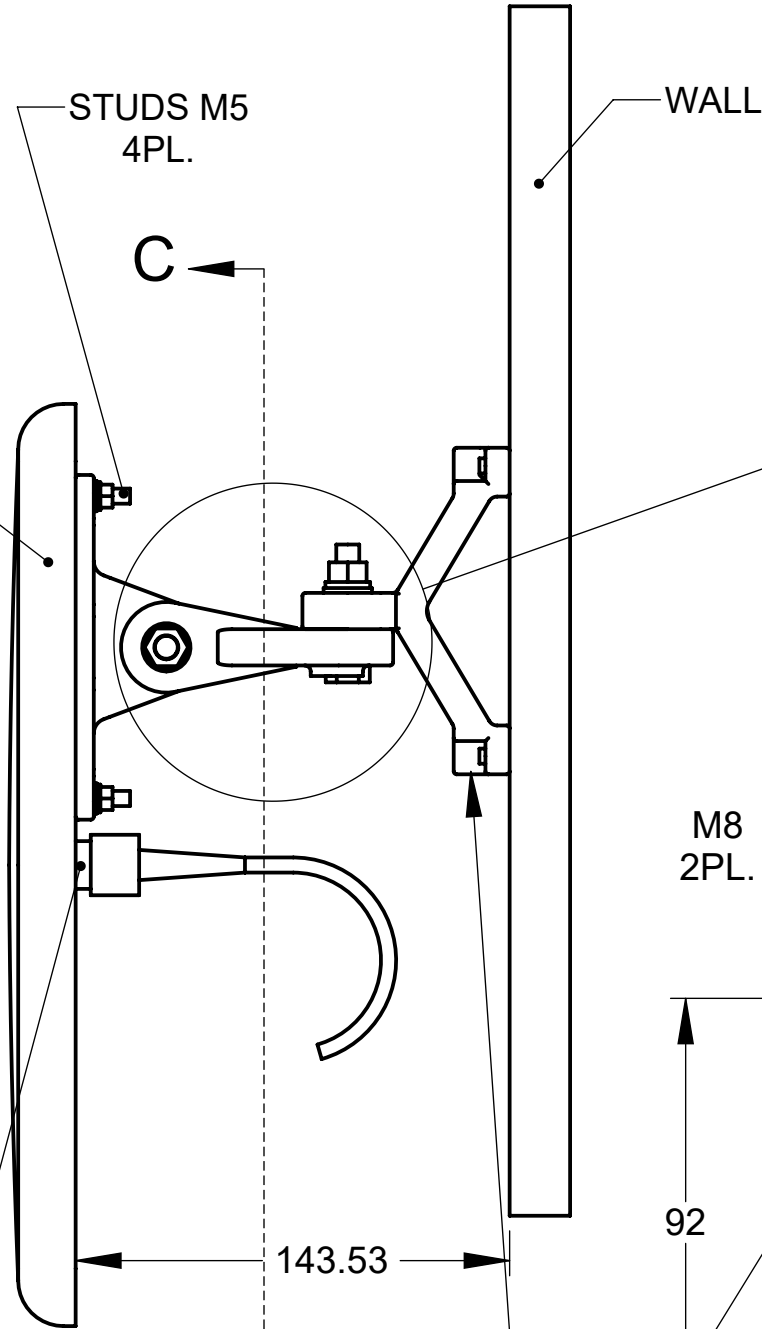


SIZE B	DWG NO RD41136200C	REV C
SCALE 1/3	SHEET 2 OF 3	

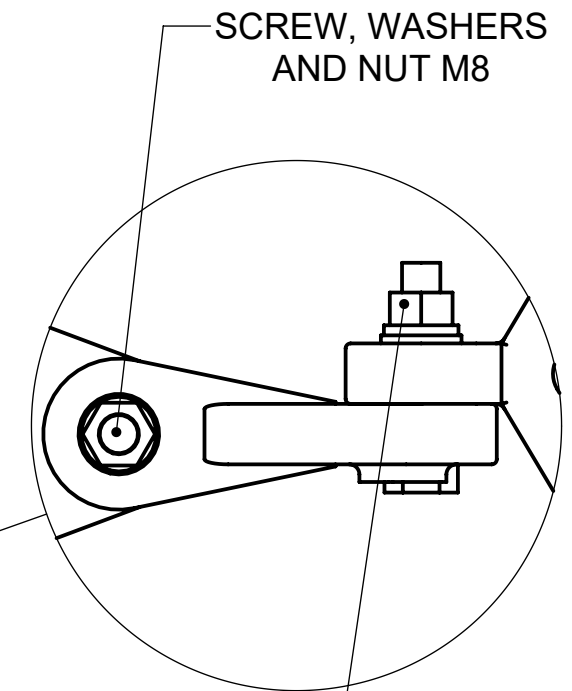
THIS DOCUMENT AND THE INFORMATION CONTAINED IN IT ARE PROPRIETARY AND CONFIDENTIAL TO M.T.I NO PERSON IS ALLOWED TO COPY, REPRINTREPRODUCE OR PUBLISH ANY PART OF THIS DOCUMENT, NOR DISCLOSE ITS CONTENTS TO OTHERS, NOR MAKE ANY USE OF IT, NOR ALLOW OR ASSIST OTHERS TO MAKE ANY USE OF IT - UNLESS BY THE PRIOR WRITTEN EXPRESS AUTHORIZATION OF M.T.I AND THEN ONLY TO EXTENT AUTHORIZED. (C) COPYRIGHT - M.T.I TECHNOLOGY AND ENGINEERING (1993) LTD.



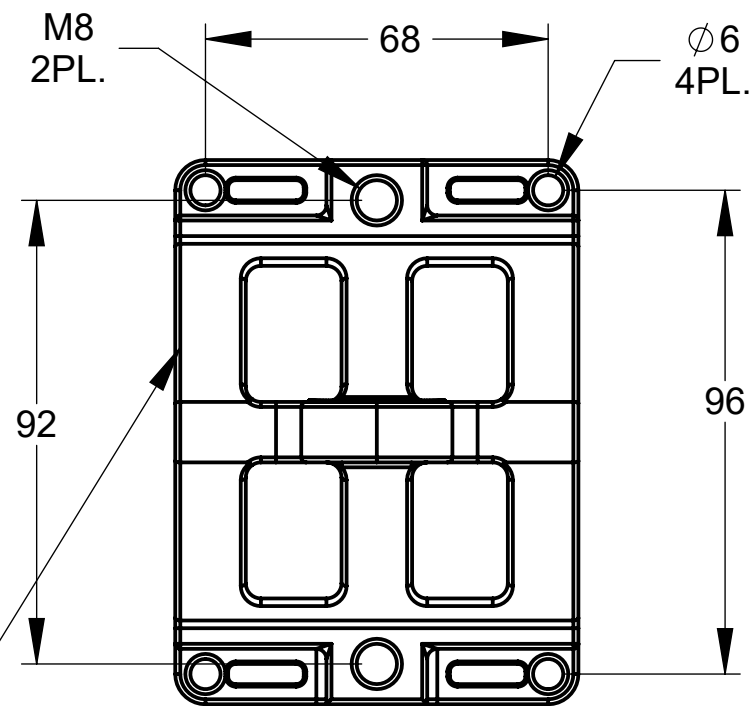
SECTION C-C  
SCALE 1 : 2.5



BRACKET FOR WALL



DETAIL D  
SCALE 1 : 1.5



SIZE B	DWG NO RD41136200C	REV C
SCALE 1/3	SHEET 3 OF 3	