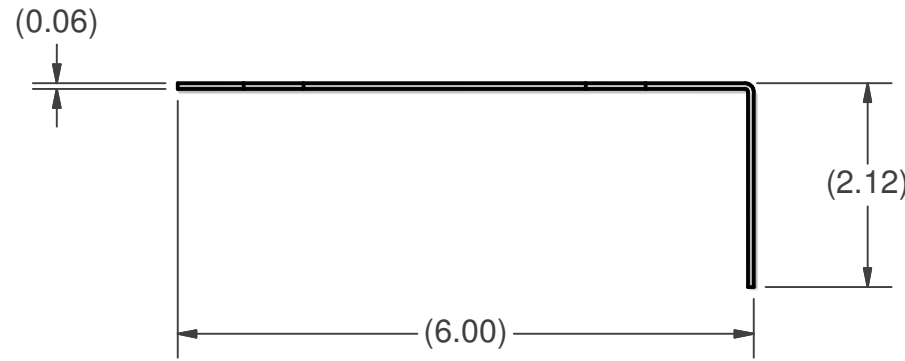
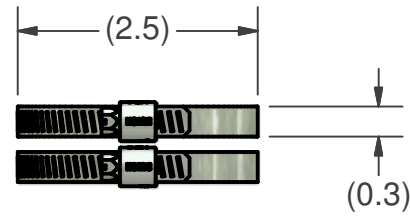


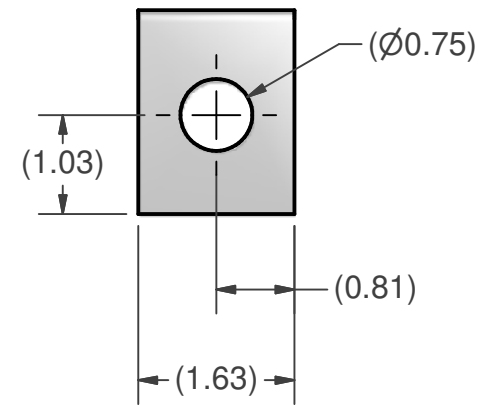
NOTES: UNLESS OTHERWISE SPECIFIED

1. ALL DIMENSIONS ARE FOR REFERENCE ONLY  
AND NO TOLERANCE IS IMPLIED

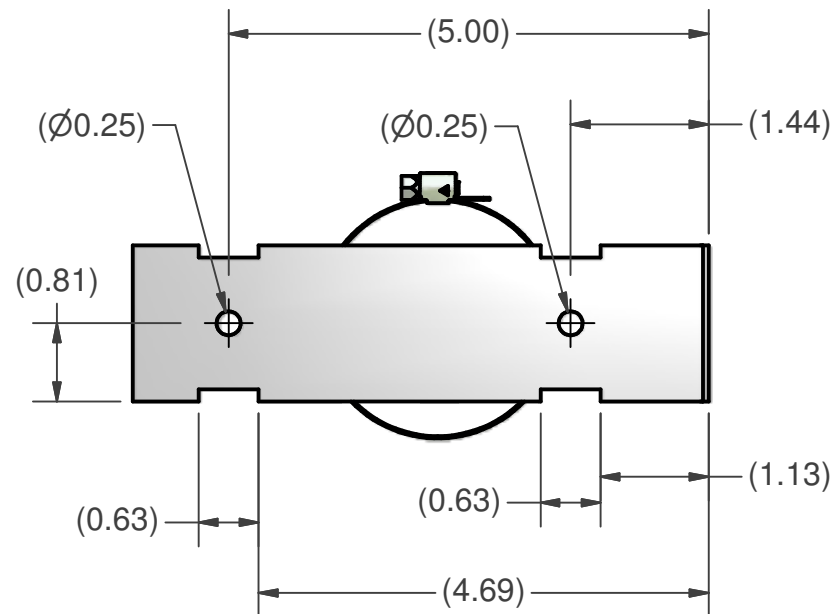
| REVISION HISTORY |                                      |         |          |
|------------------|--------------------------------------|---------|----------|
| REV              | DESCRIPTION                          | DATE    | APPROVED |
| 1                | OUTLINE DIMENSIONAL DRAWING RELEASED | 07OCT10 | ML       |



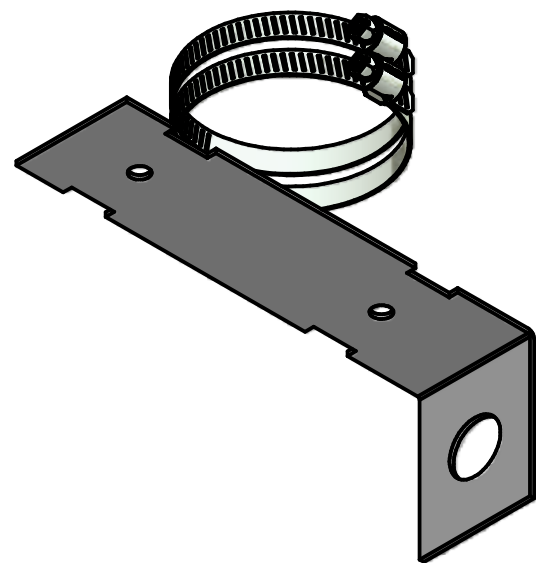
FRONT



SIDE



BOTTOM



|  |  |                          |   |  |
|--|--|--------------------------|---|--|
| UNLESS OTHERWISE SPECIFIED<br>DIMENSIONS ARE IN INCHES   | DRAWN<br><b>IP</b>                           | DATE<br><b>10/7/2010</b> |   | PCTEL, INC.<br>BROADBAND TECHNOLOGY GROUP<br>471 BRIGHTON DRIVE<br>BLOOMINGDALE, IL 60108<br>PH. 630-372-6800<br>FAX. 630-372-8077 |
| FOR TOLERANCES NOT SPECIFIED USE:<br>X.X ± 0.1, X.XX ± 0.01, X.XXX ± 0.005<br>ANGULAR ± 2°   | CHECKED                                      | DATE                     |   |  |
| THIRD ANGLE PROJECTION<br>   | APPROVED                                     | DATE                     | DESCRIPTION<br><b>SS L BRACKET FOR WS3977</b> |  |
| PROPRIETARY DATA<br>THE INFORMATION CONTAINED IN THIS DOCUMENT<br>IS OF A PROPRIETARY NATURE. IT MAY NOT BE<br>USED OR REPRODUCED WITHOUT EXPRESS<br>WRITTEN PERMISSION OF<br>PCTEL INC., BLOOMINGDALE, IL 60108 | MATERIAL:<br><b>SEE COMPONENT<br/>PRINTS</b> |                          | DRAWING NO.<br><b>ODD_MMK1925</b>             |  |
|  | FINISH:<br><b>SEE COMPONENT<br/>PRINTS</b>   |                          | SIZE<br><b>B</b>                              | SCALE<br><b>1/2</b>  |
|  |  |                          | SHEET<br><b>1 OF 1</b>                        |  |