



# FLEXANTENNA – U-Bolt Pole Mounting Kit

## SUPERIOR SCANNING

FLEXANTENNA offers best-in-class tag read performance across tag orientations. Focused linear antennas reduce cross reads and blind spots. Install individual units or combine multiple units as needed.

## FLEXIBLE INSTALLATION

The FLEXANTENNA U-Bolt Pole Mount kit provides ultimate flexibility for mounting portals. Configurations are limitless as you can adjust height to match conveyor lines and build portals with FLEXANTENNA units to read tags from sides, top, or bottom.

## EASE OF DEPLOYMENT

With rising costs of shipping and labor, FLEXANTENNA is a clear winner with reduced costs to transport, deploy, and support. The modular design reduces size and weight allowing for standard parcel shipments and single person installation.



## Pole Mounting Kit Contents:



(8) 1 1/4" length 3/8"-16 hex screws



(16) 3/8" flat washers



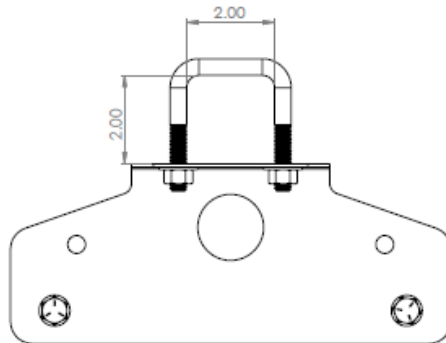
(8) 3/8" locknuts



(2) 3/8"-16 2" U-Bolts



(2) FLEXANTENNA U-Bolt Pole Mount



## SPECIFICATIONS

**Dimensions:** 10.00" x 4.08" x 1.38"

**Weight:** 2 lbs

**Material:** Aluminum

**Finishing:** RAL 1023 Safety Yellow

## FLEXANTENNA POLE MOUNT KIT FEATURES:

- Fits poles up to 2" diameter
- Enables mounting at various heights
- Ideal for conveyor systems
- Make tunnels from simple frame structures
- Sturdy hardware for industrial applications