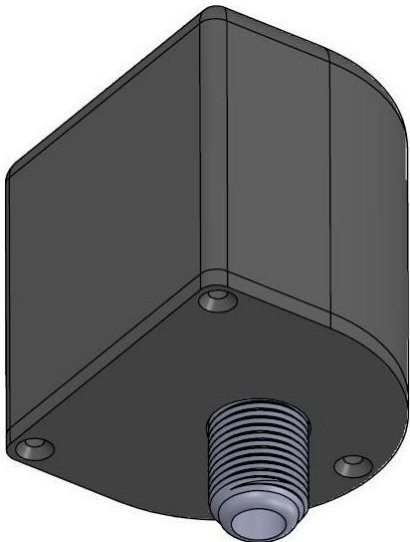
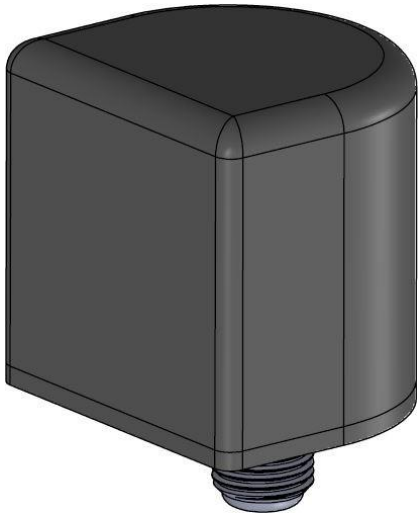


## RKD Series

Dual LTE Kiosk Antenna

The RFMAX RKD-44 series antenna is designed to replace a single cellular antenna with a DUAL 4G/LTE antenna in the same 5/8 inch mounting hole. This unit is purpose built to be ultra-rugged and tamper proof which makes it ideal for use in public places. A VHB gasket seals the mounting location from water ingress, and 5/8 threaded mounting stud provides a completely vandal proof design.



- Rugged construction for fixed outdoor applications
- VHB gasket mounting
- Mounting hidden for tamper proof clean installation
- IP67 tested

### Example of Part Numbers:

- **RKD-44-36i-SS-B**
- **RKD-44-36i-FF-B**



LTE

### PART NUMBER CONFIG:

RKD	44	xxi	S/F	B
Model	2 X 4G /LTE	Coax Length (inch)	S = (SMA M) F = (FME F)	Color (Black/White)

## ELECTRICAL DATA

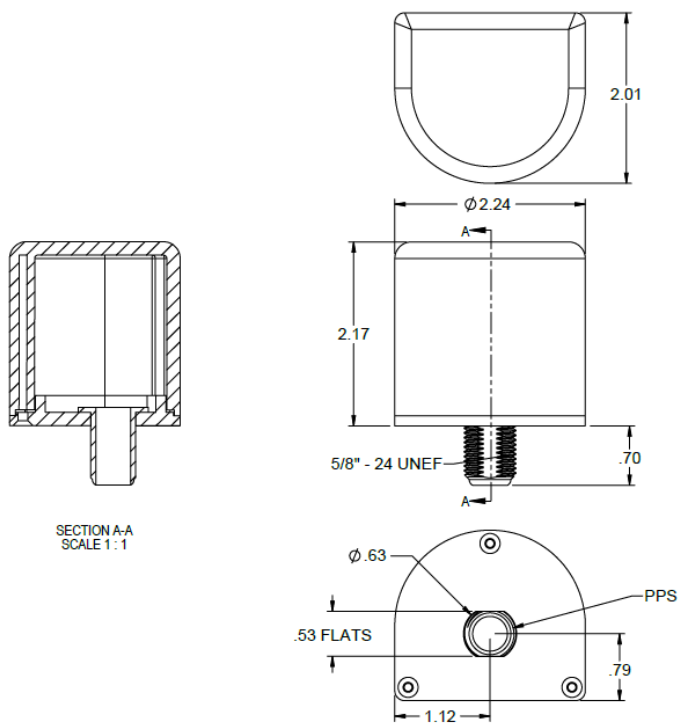
Frequency Range	Freq 1	690-960 MHz
	Freq 2	1710-2700 MHz
Operational Bands	All Frequencies	4G/LTE/Cellular
Average Gain	All Frequencies	2 dBi
Directional Pattern	Omnidirectional	
VSWR	2.5:1	

## ENVIRONMENTAL DATA

Hazardous Substances	RoHS Compliant
Temperature	-40°C to 65°C (-40°F to + 149°F) Operating and Storage conformance to IEC 60068
Humidity (Non-Condensing)	5% to 96% Operating and Storage conformance to IEC 60068
Water Ingress	IP67
Materials	PCB Element, UV Stable Poly-Carbonate

## MECHANICAL DATA

Dimensions	Height	2" (50.8 mm)
	Width	2" (50.8 mm)
	Length	2" (50.8 mm)
Weight	0.28 lbs	
Color	Black (B)	
Mounting	.625" Bulkhead, 5/8-24 Thread, VHB Tape	



## CABLE DATA - LTE

Type	RG174 Low Loss
Length	Customizable
Termination	Customizable
Number of Cables	2